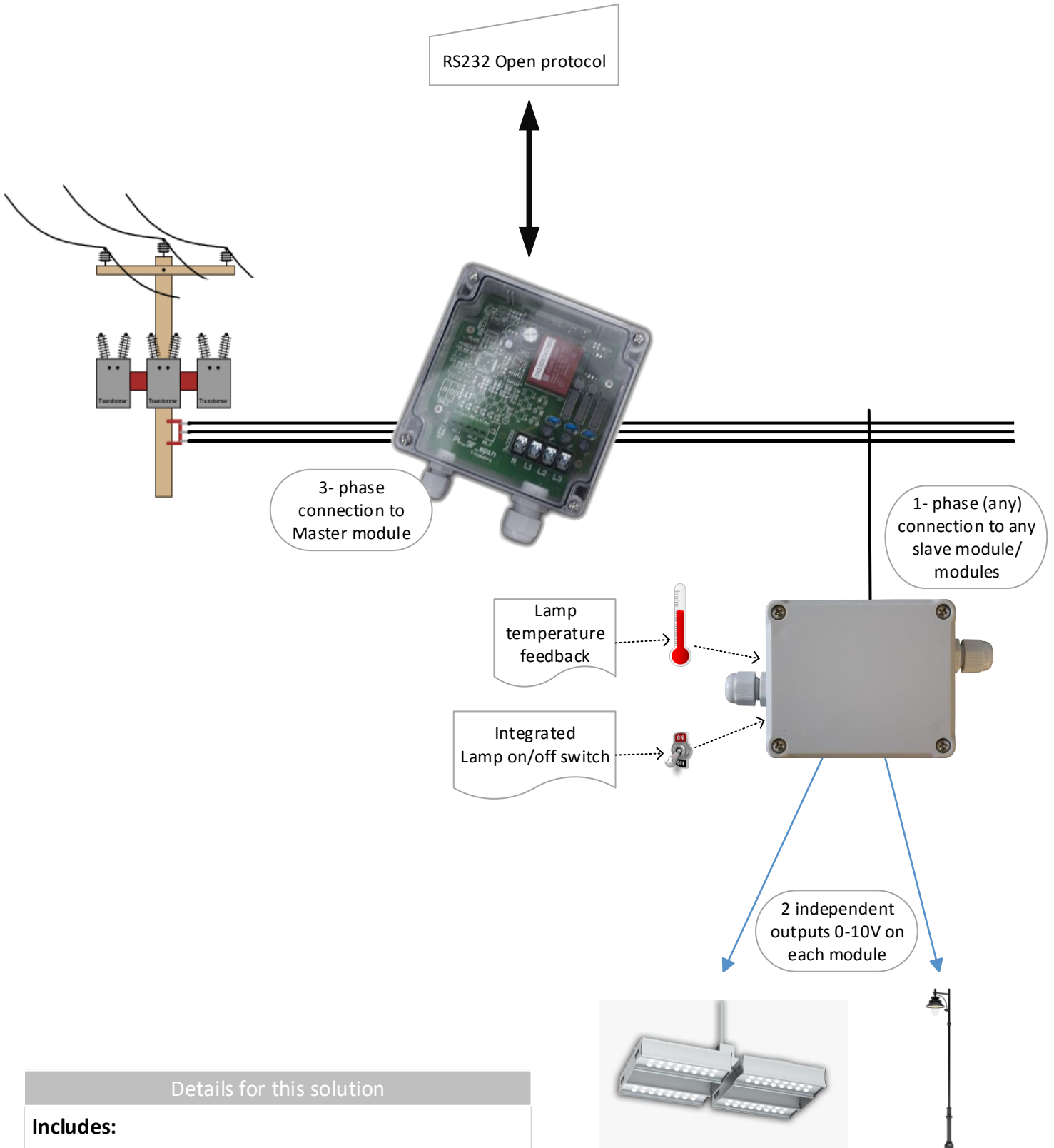


Lighting solution

industrial / street lighting



Mid layer LonWorks powerline lamp solution



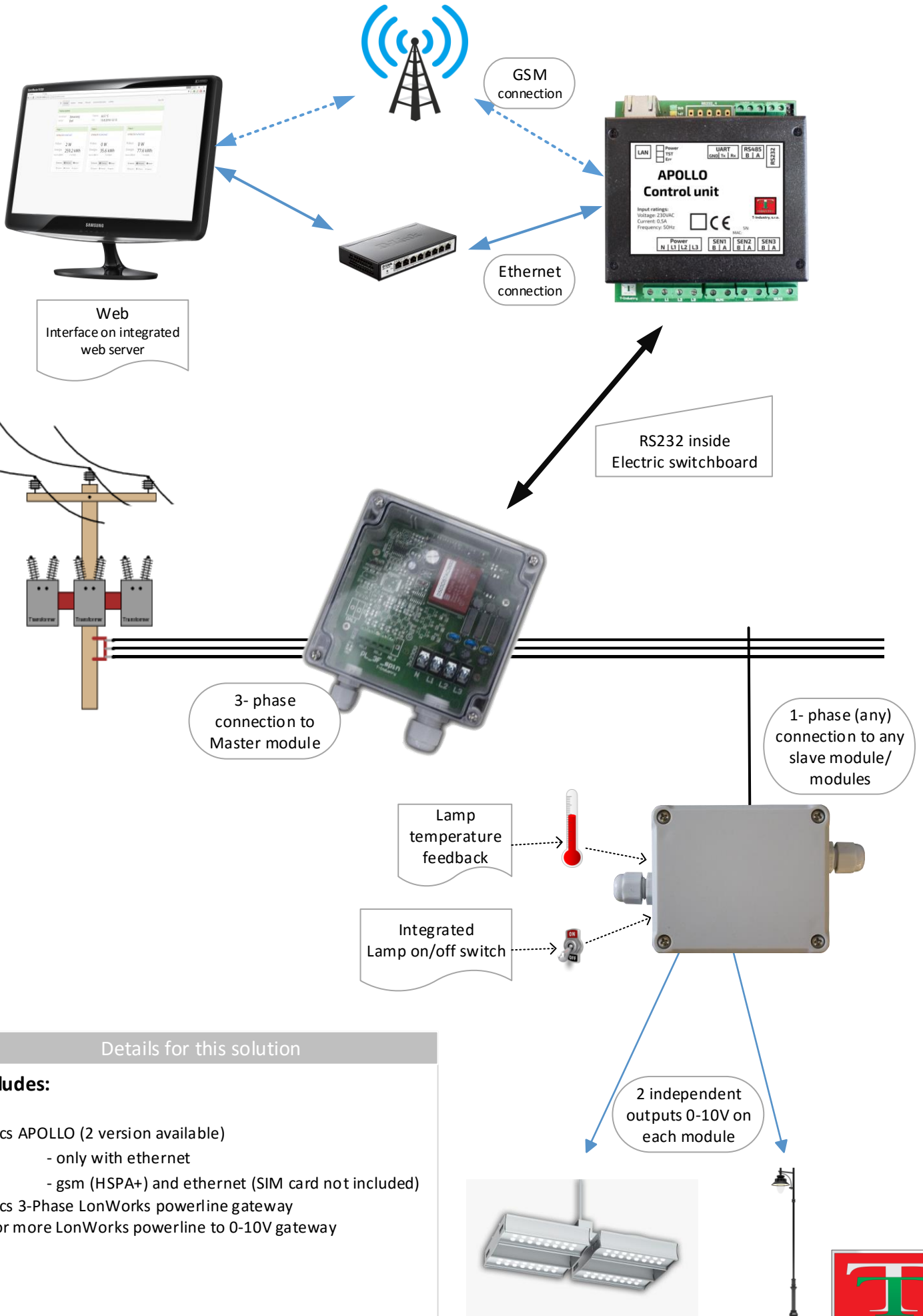
Details for this solution

Includes:

- 1pcs 3-Phase LonWorks powerline gateway
- 1 or more LonWorks powerline to 0-10V gateway
- open protocol documentation



LonWorks powerline lamp solution with autonomous web management



Details for this solution

Includes:

- 1pcs APOLLO (2 version available)
 - only with ethernet
 - gsm (HSPA+) and ethernet (SIM card not included)
- 1pcs 3-Phase LonWorks powerline gateway
- 1 or more LonWorks powerline to 0-10V gateway



LonWorks powerline lamp solution with independent local touch panel

LIGHTpanel

1- phase connection to LIGHTpanel

1- phase connection to any slave module/ modules

Lamp temperature feedback

Integrated Lamp on/off switch

2 independent outputs 0-10V on each module

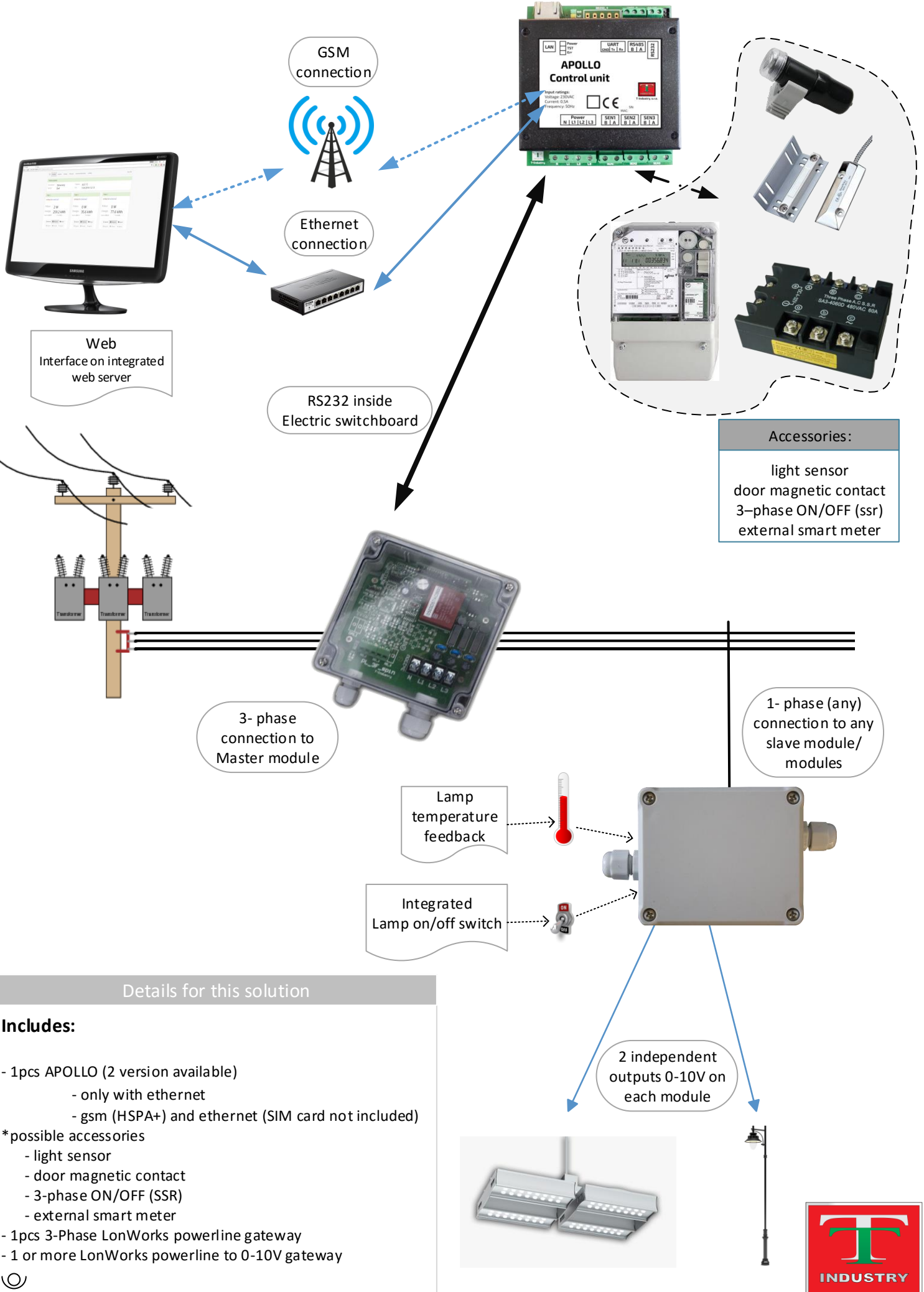
Details for this solution

Includes:

- 1pcs LIGHTpanel
- 1 or more LonWorks powerline to 0-10V gateway



LonWorks powerline lamp solution with accessories



- Accessories:**
- light sensor
 - door magnetic contact
 - 3-phase ON/OFF (ssr)
 - external smart meter

3- phase connection to Master module

1- phase (any) connection to any slave module/modules

Lamp temperature feedback

Integrated Lamp on/off switch

2 independent outputs 0-10V on each module

Details for this solution

Includes:

- 1pcs APOLLO (2 version available)
 - only with ethernet
 - gsm (HSPA+) and ethernet (SIM card not included)

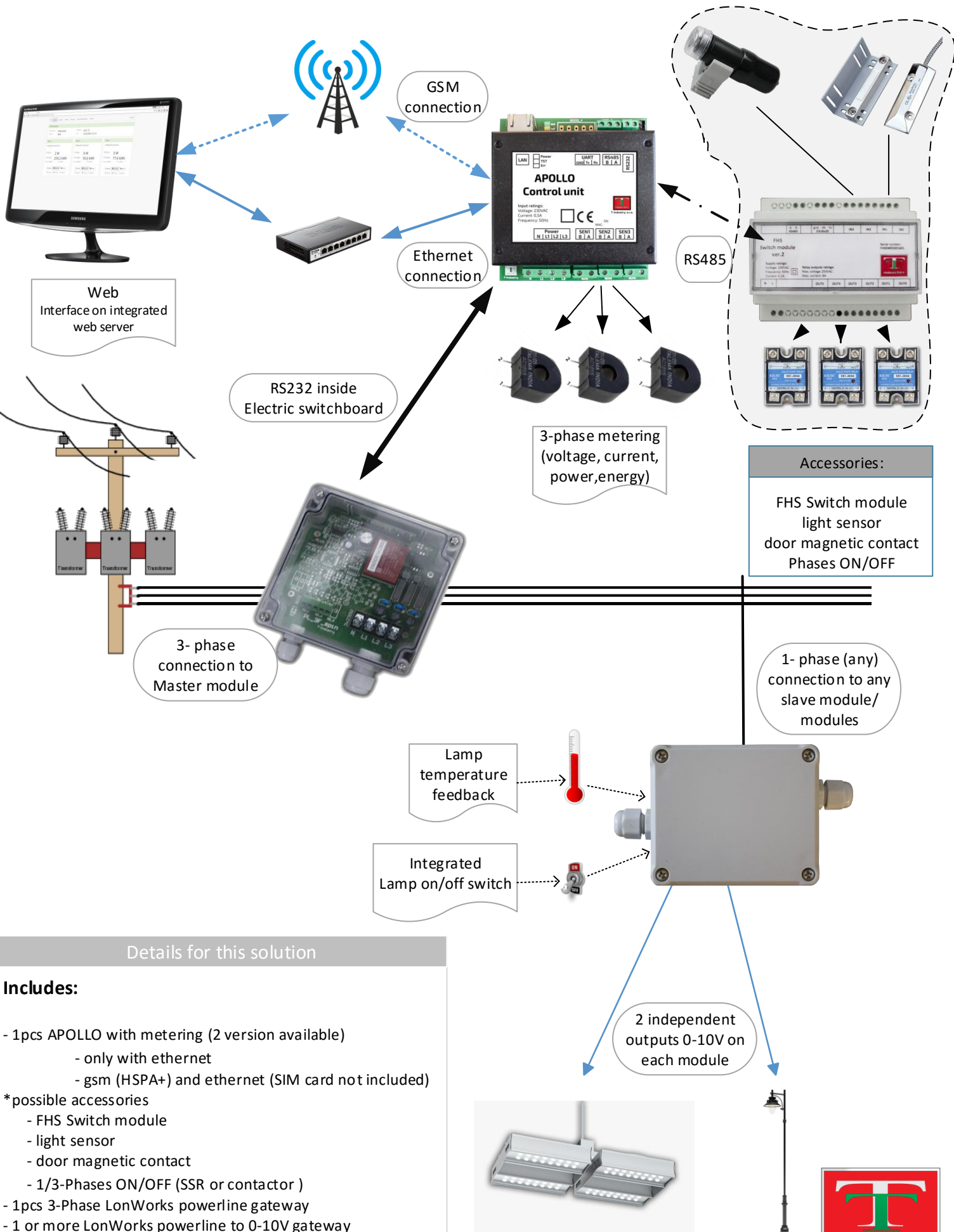
***possible accessories**

- light sensor
- door magnetic contact
- 3-phase ON/OFF (SSR)
- external smart meter

- 1pcs 3-Phase LonWorks powerline gateway
 - 1 or more LonWorks powerline to 0-10V gateway



LonWorks powerline lamp solution included 3-Phase metering



- Details for this solution**
- Includes:**
- 1pcs APOLLO with metering (2 version available)
 - only with ethernet
 - gsm (HSPA+) and ethernet (SIM card not included)
 - *possible accessories
 - FHS Switch module
 - light sensor
 - door magnetic contact
 - 1/3-Phases ON/OFF (SSR or contactor)
 - 1pcs 3-Phase LonWorks powerline gateway
 - 1 or more LonWorks powerline to 0-10V gateway





T-Industry, s.r.o.
Hoštáky 910/49
907 01 Myjava
Slovak Republic

mob.: +421 907 712 955
web: www.tind.sk
email: tind@tind.sk

